

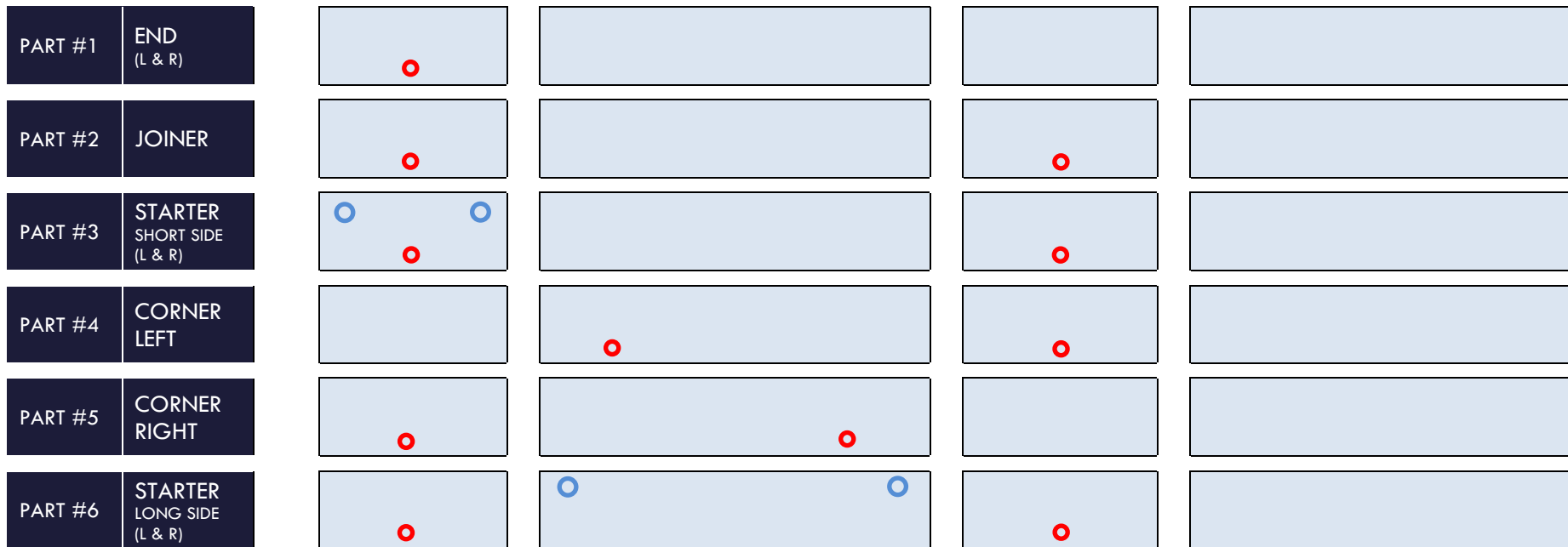
TANK SPECIFICATIONS

CAPACITIES & WEIGHTS | PART NUMBERS | SAMPLE CONFIGURATIONS | TANK DIMENSIONS | LIFTING POINT POSITIONS & LOADS

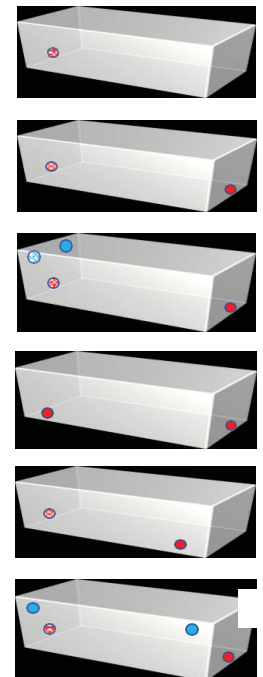
CAPACITIES AND WEIGHTS

SMALL		MEDIUM		LARGE	
TANK + STANDARD PLANTER	TANK + DEEP PLANTER	TANK + STANDARD PLANTER	TANK + DEEP PLANTER	TANK + STANDARD PLANTER	TANK + DEEP PLANTER
WEIGHT		WEIGHT		WEIGHT	
1,750kgs + 850kgs (total = 2600kgs)	1,750kgs + 1,100kgs (total = 2850kgs)	2,500kgs + 850kgs (total = 3350kgs)	2,500kgs + 1,100kgs (total = 3600kgs)	3,200kgs + 850kgs (total = 4050kgs)	3,200kgs + 1,100kgs (total = 4300kgs)
CAPACITY		CAPACITY		CAPACITY	
1,750 litres		2,250 litres		3,150 litres	

● 50mm ● 100 or 150mm

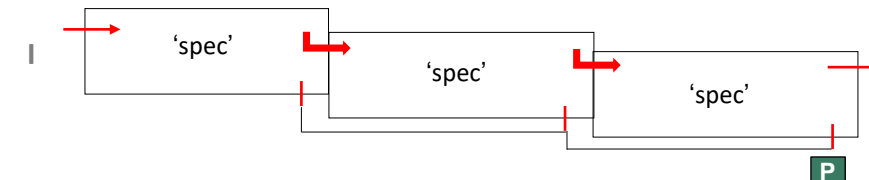
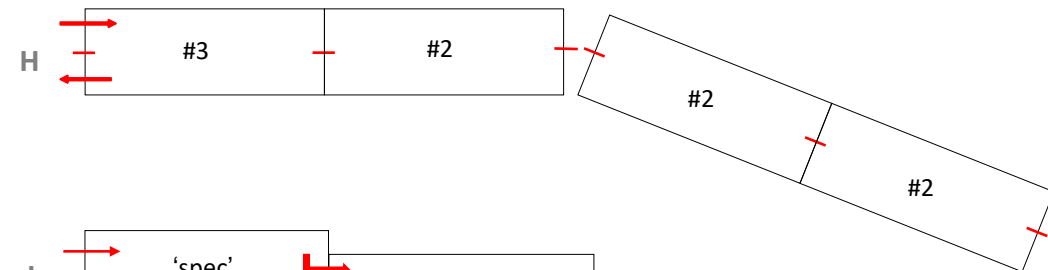
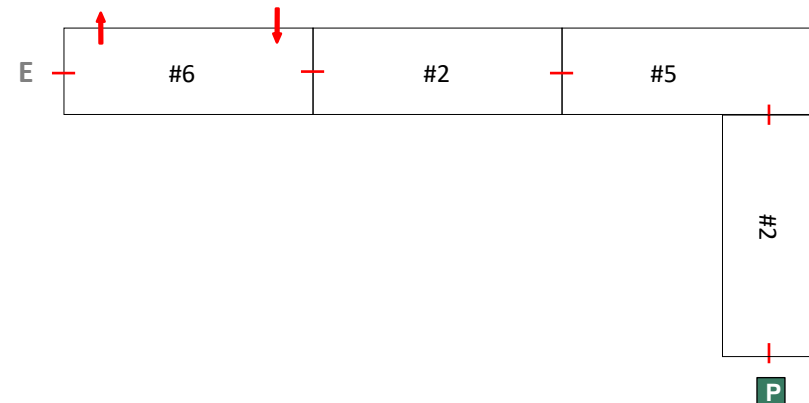
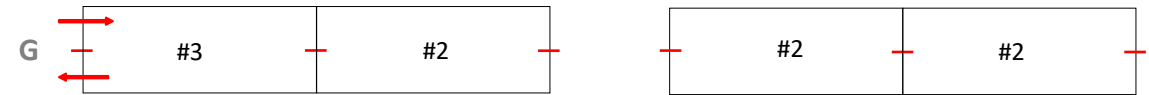
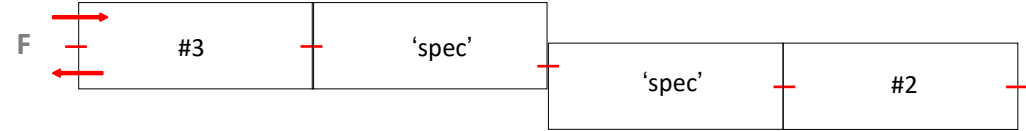
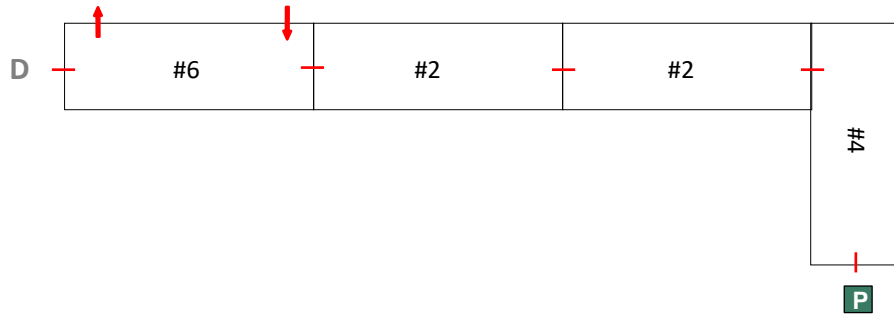
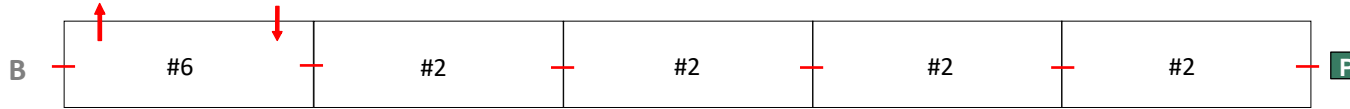


PART NUMBERS



TOP VIEW

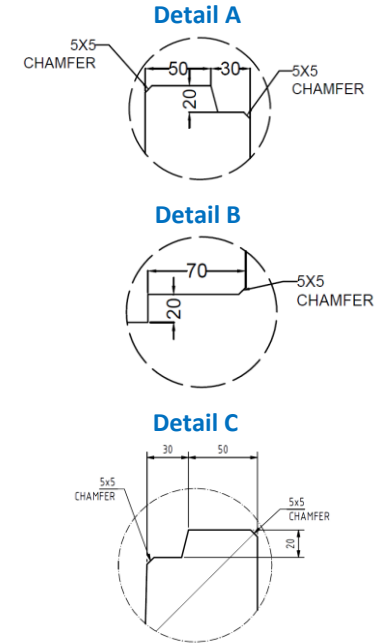
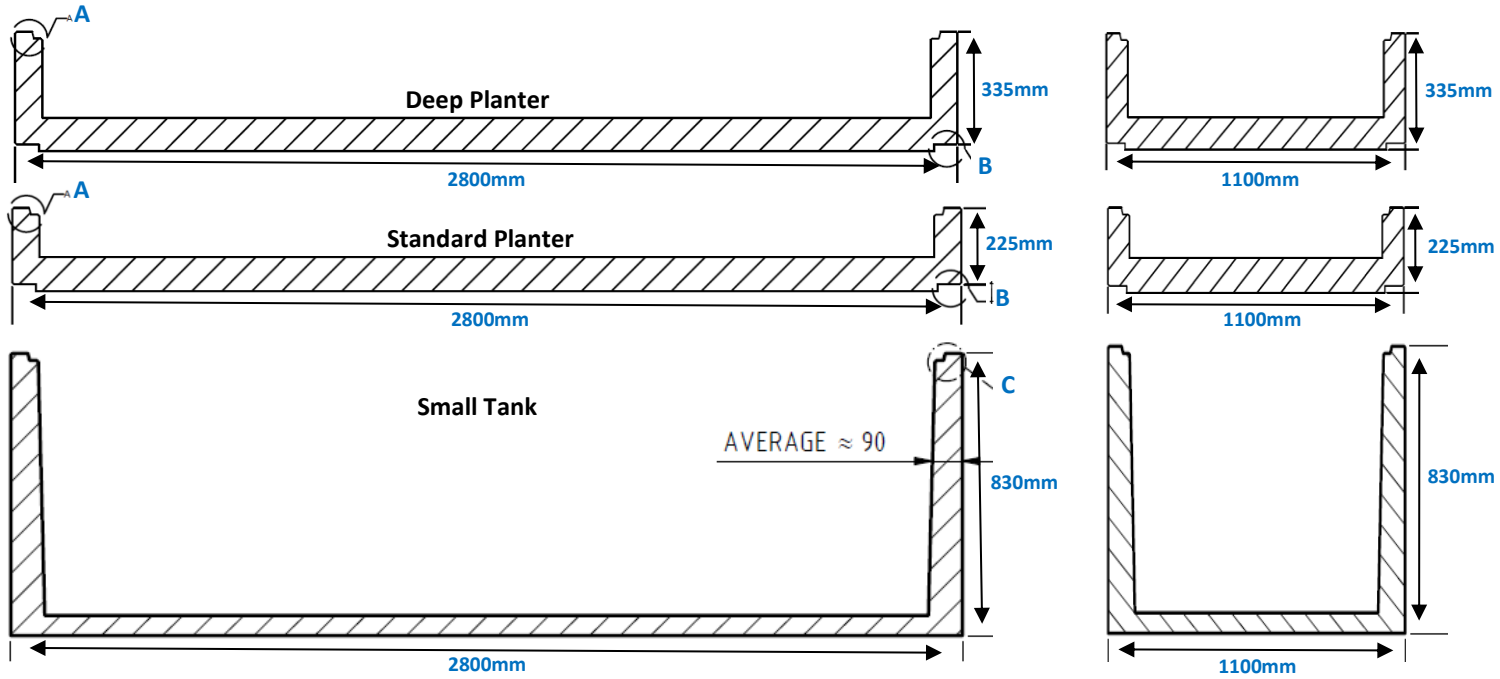
SAMPLE CONFIGURATIONS



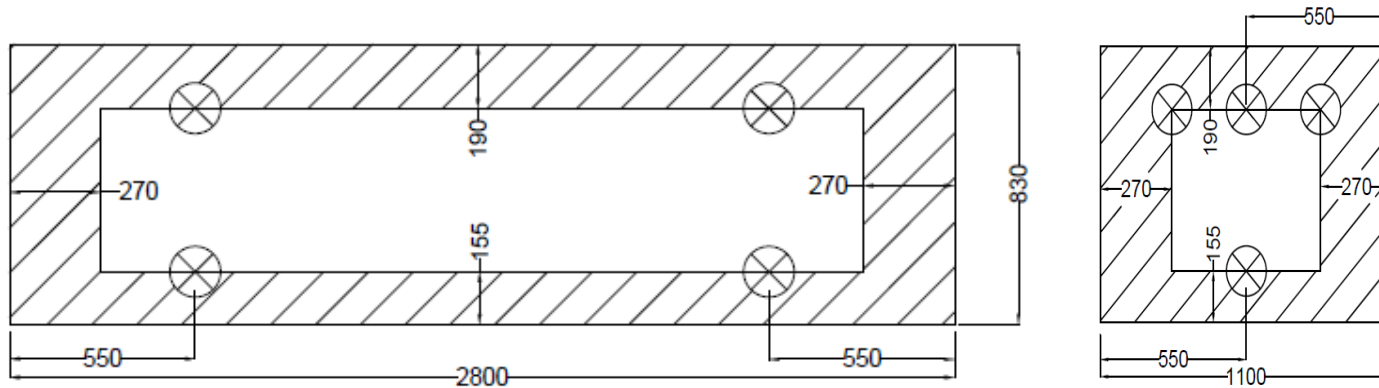
LEGEND

- 100mm inflow – also available in 150mm
- 100mm overflow - also available in 150mm
- 50mm equalizing port / pump access - also available in 100 or 150mm
- Pump




SMALL TANK DIMENSIONS



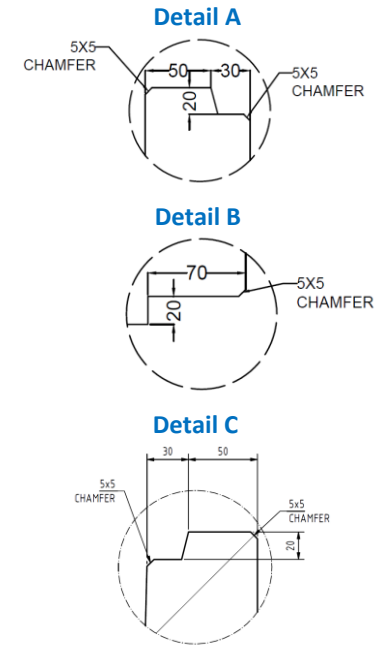
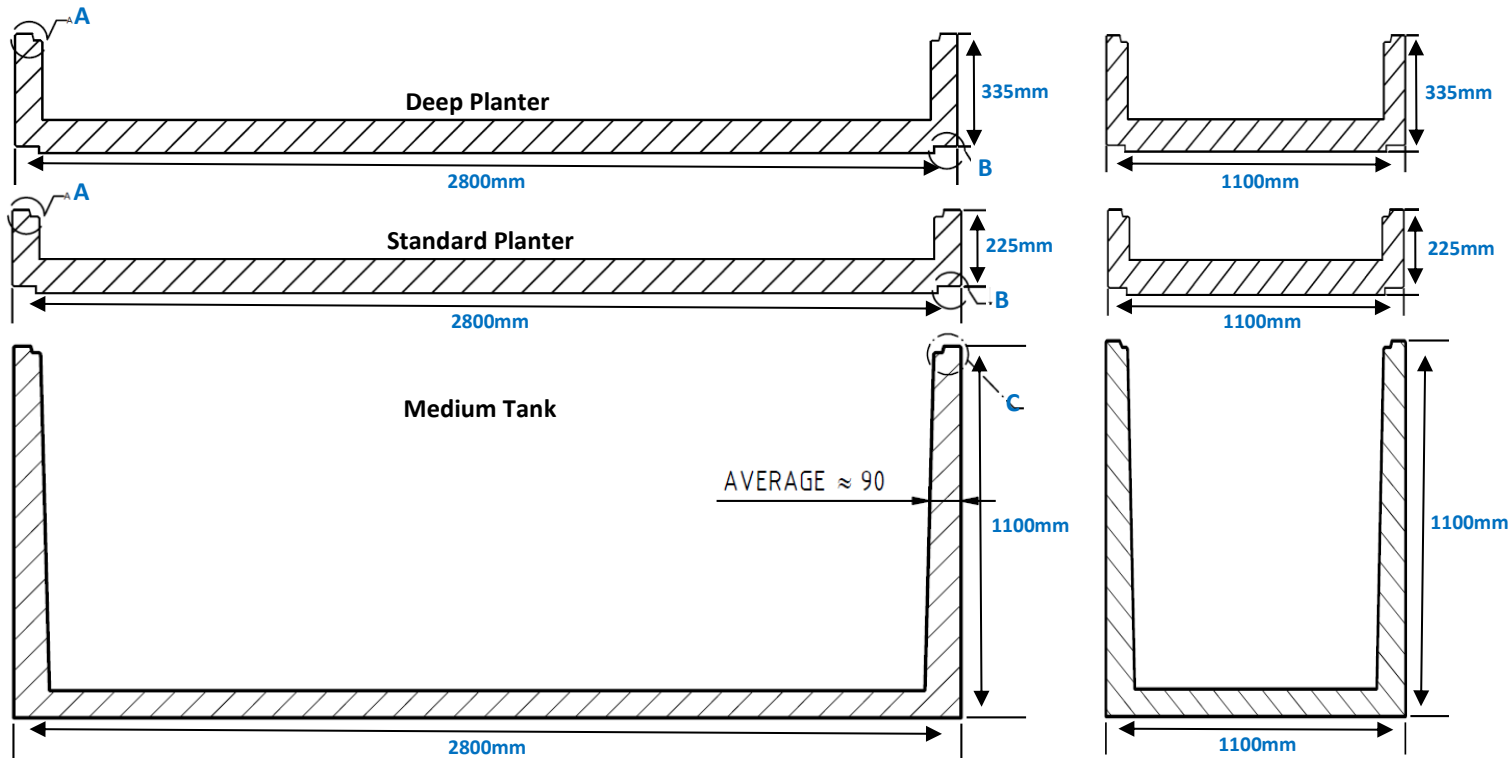
SMALL TANK STANDARD SEAL PLACEMENT



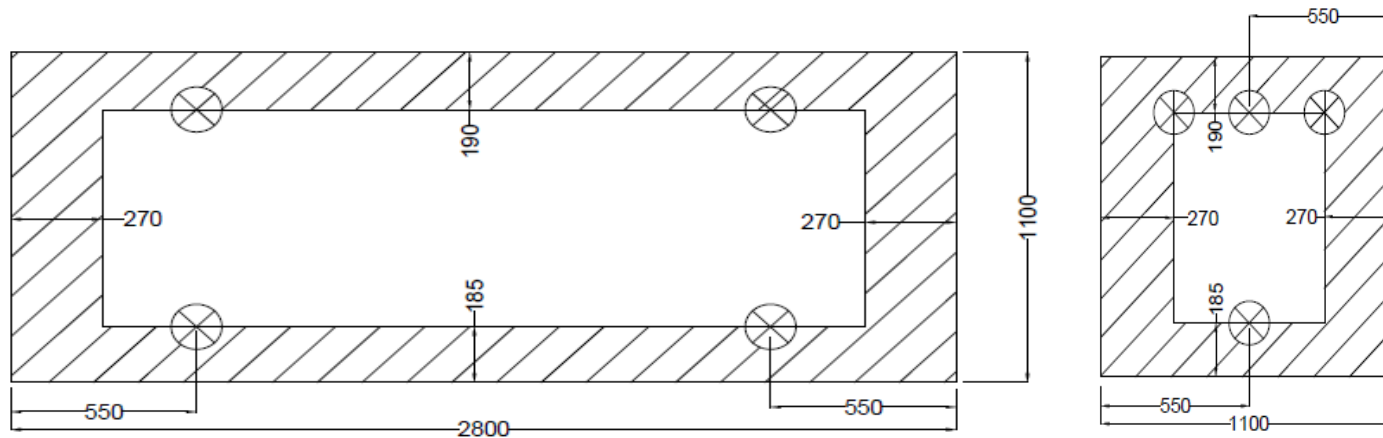
LEGEND

-  Available for customized seal placement
-  Unavailable for seal placement
-  Standard seal position




MEDIUM TANK DIMENSIONS



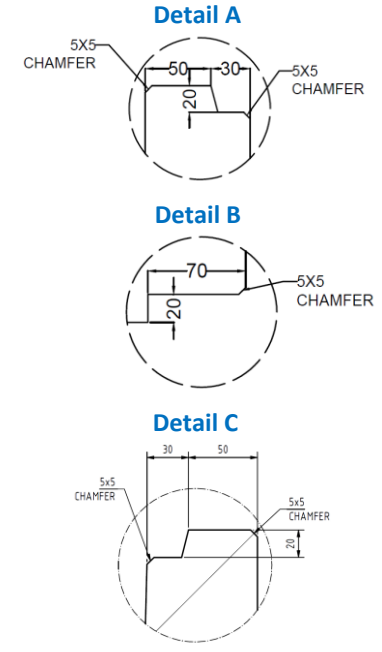
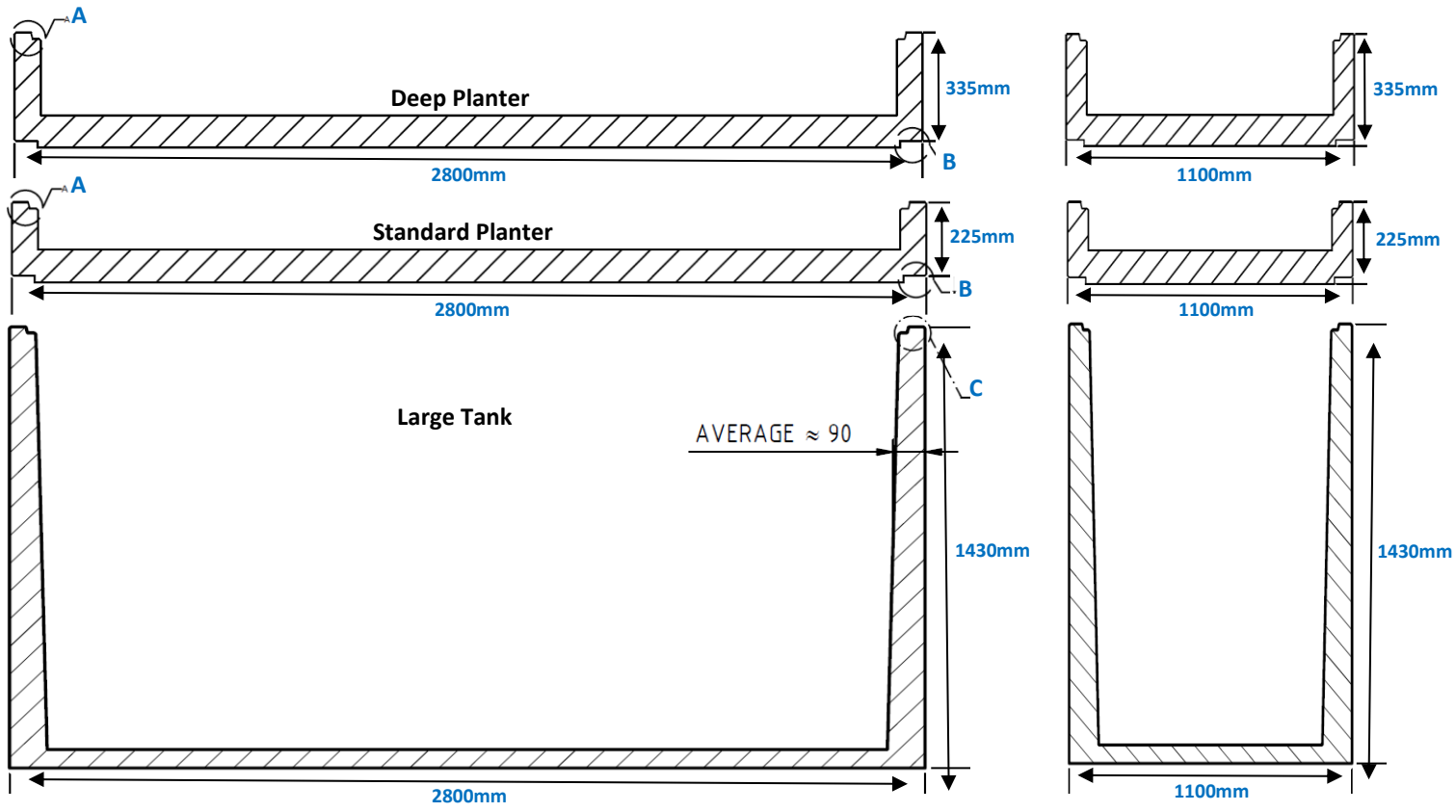
MEDIUM TANK STANDARD SEAL PLACEMENT



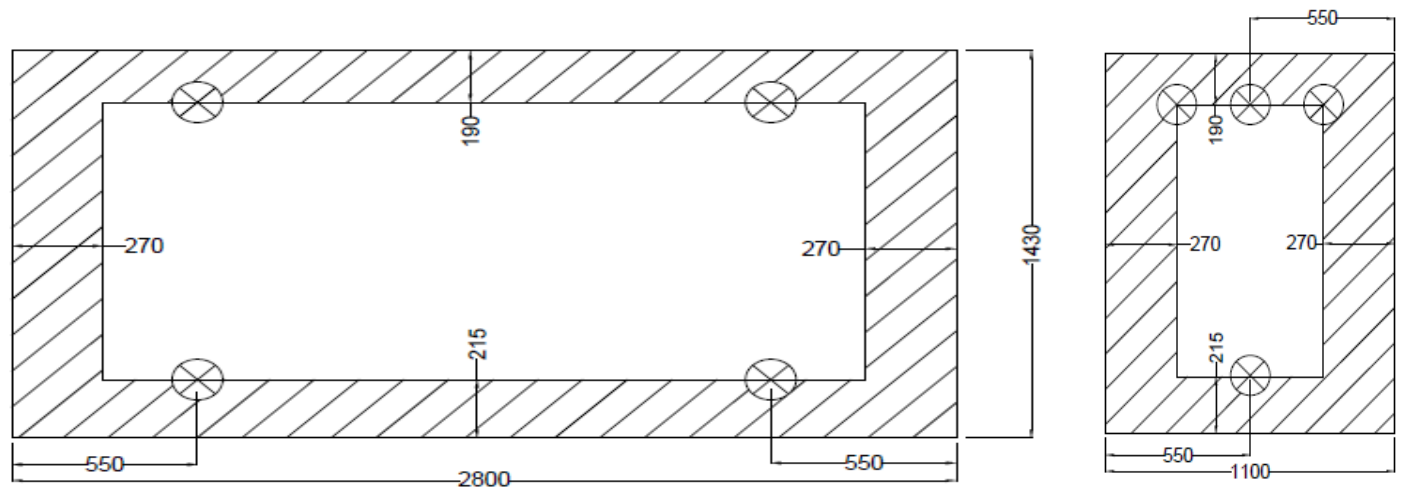
LEGEND

-  Available for customized seal placement
-  Unavailable for seal placement
-  Standard seal position

LARGE TANK DIMENSIONS

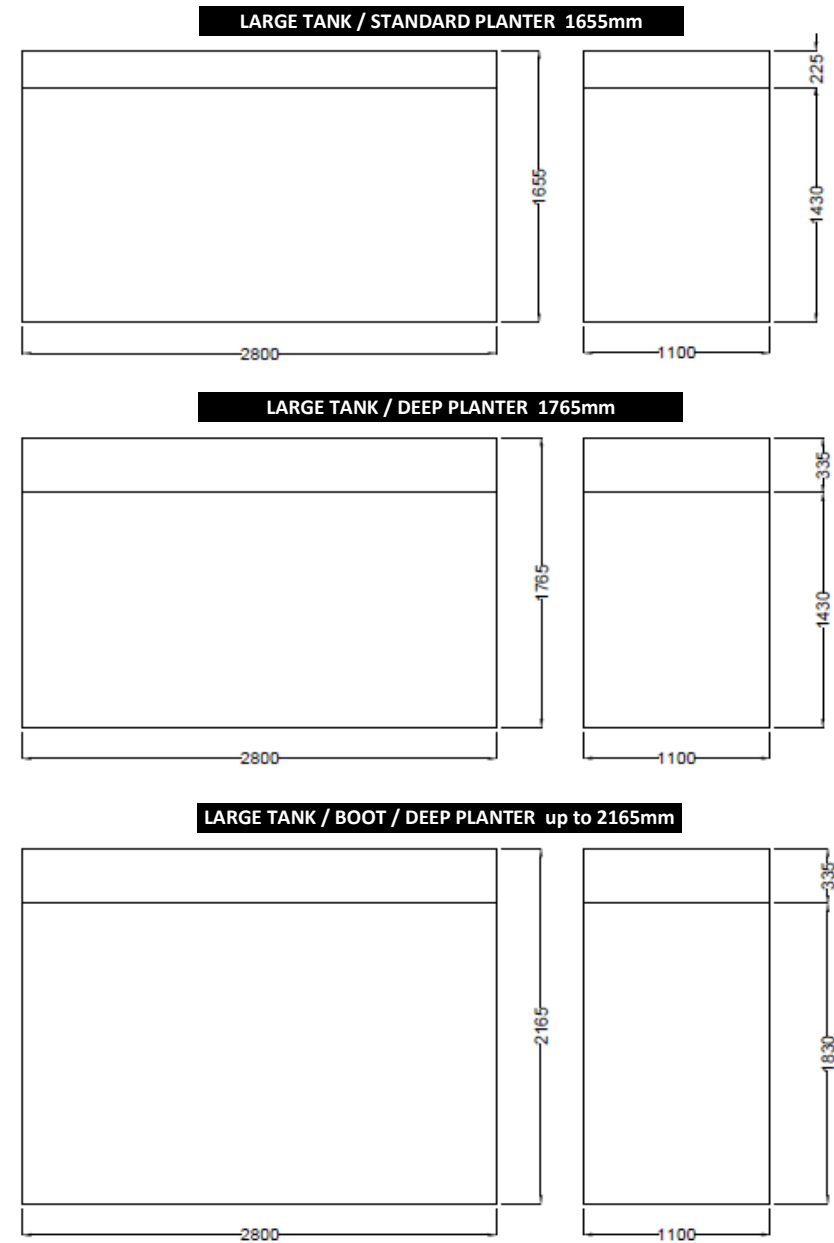
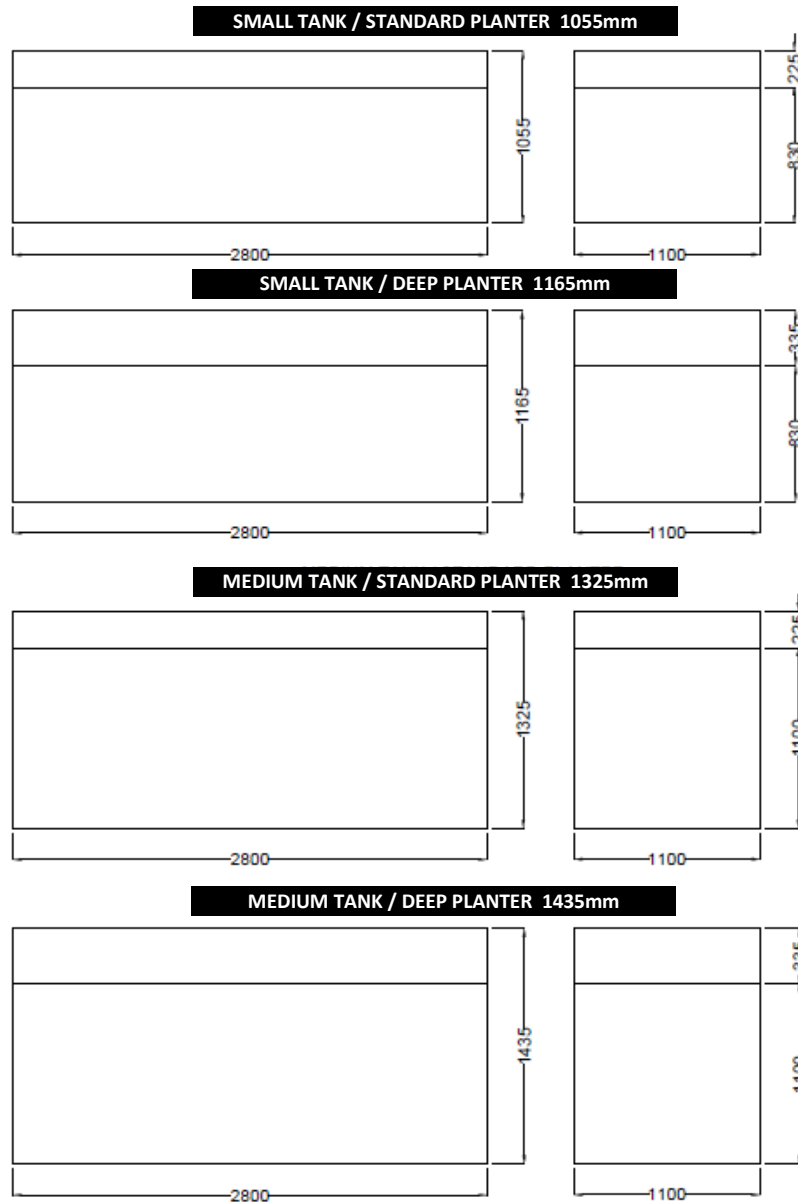


LARGE TANK STANDARD SEAL PLACEMENT

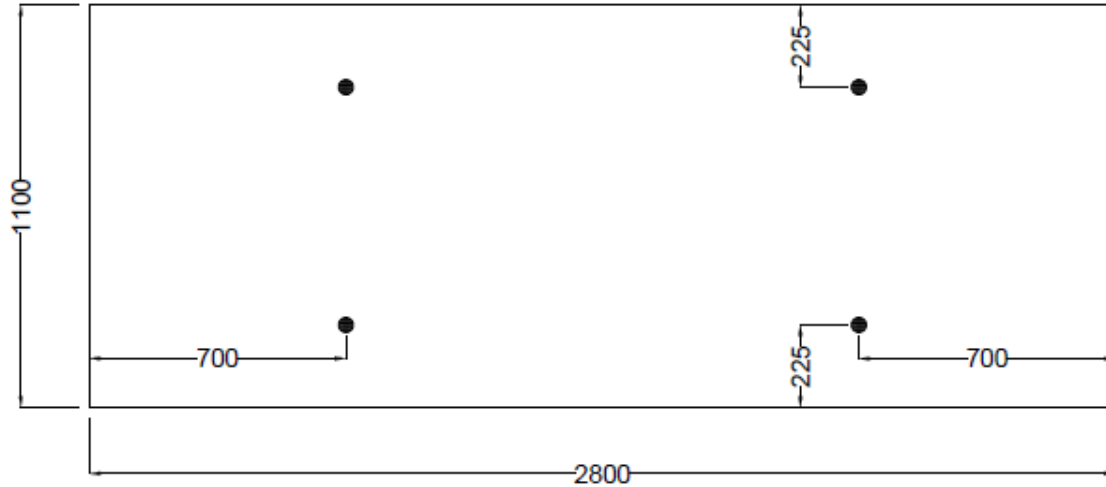


- LEGEND**
- Available for customized seal placement
 - Unavailable for seal placement
 - Standard seal position

COMBINED TANK AND PLANTER HEIGHTS



LIFTING POINT POSITIONS (TANKS AND PLANTERS) LIFTING POINT LOADS



PLANTER	STANDARD	1.3 t
	DEEP	1.3 t
TANK	SMALL	1.3 t
	MEDIUM	1.3 t
	LARGE	2.5 t

TABLE
PIN HEAD LIFT LOADS

CliffJack Pty Ltd T/A Landscape Tanks ABN 30 652 750 135

Office: 684 Macauley St, Albury NSW 2640

Manufacturing: 23 Hudson Cres, Albury NSW 2640 (Inform Construction)

Mobile 0499 19 22 82

Patent Granted # 2010286347 & Patent Application # 2018202547